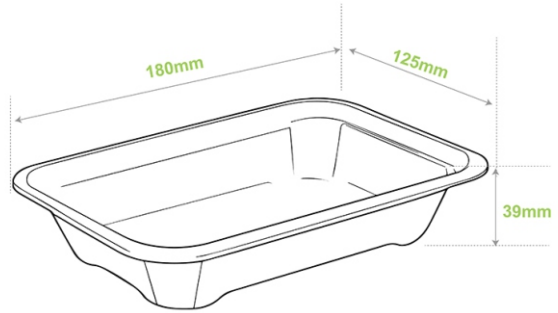


450ml Sugarcane Fibre Bento Box



450ml sugarcane bento box - lightweight, biodegradable, and perfect for snacks, kids' lunches, or light meals. Microwave-safe and eco-friendly."

Dimensions(LxWxH/ΦxH): 180*125*39mm		Weight: 13g
Carton Size(LxWxH): 51*37.5*27cm		Speci: 125*4/500
Material: Bagasse	Fluorine content: optional (with or without)	Use: Hot,Cold,Wet &Dry
Moldable: Yes	printable: No	Manufactured: China
Lining/coating: None	Recyclable: /	Compostable: /

Customize: Customization is supported.

Contact US: mackbiopackaging@outlook.com