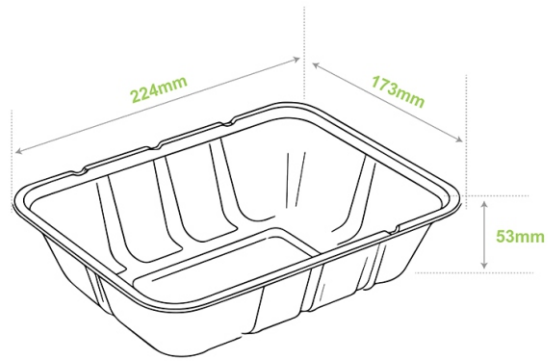


1200ml Sugarcane Fibre Food Tray



1200ml sugarcane food tray – a biodegradable, microwave-safe, and eco-friendly solution for serving meals, takeout, or buffet-style dining.

Dimensions(LxWxH/ΦxH): 224*173*53mm		Weight: 28g
Carton Size(LxWxH): 36*23.5*36cm		Speci: 100*2/200
Material: Bagasse	Fluorine content: optional (with or without)	Use: Hot,Cold,Wet &Dry
Moldable: Yes	printable: No	Manufactured: China
Lining/coating: None	Recyclable: /	Compostable: /

Customize: Customization is supported.

Contact US: mackbiopackaging@outlook.com